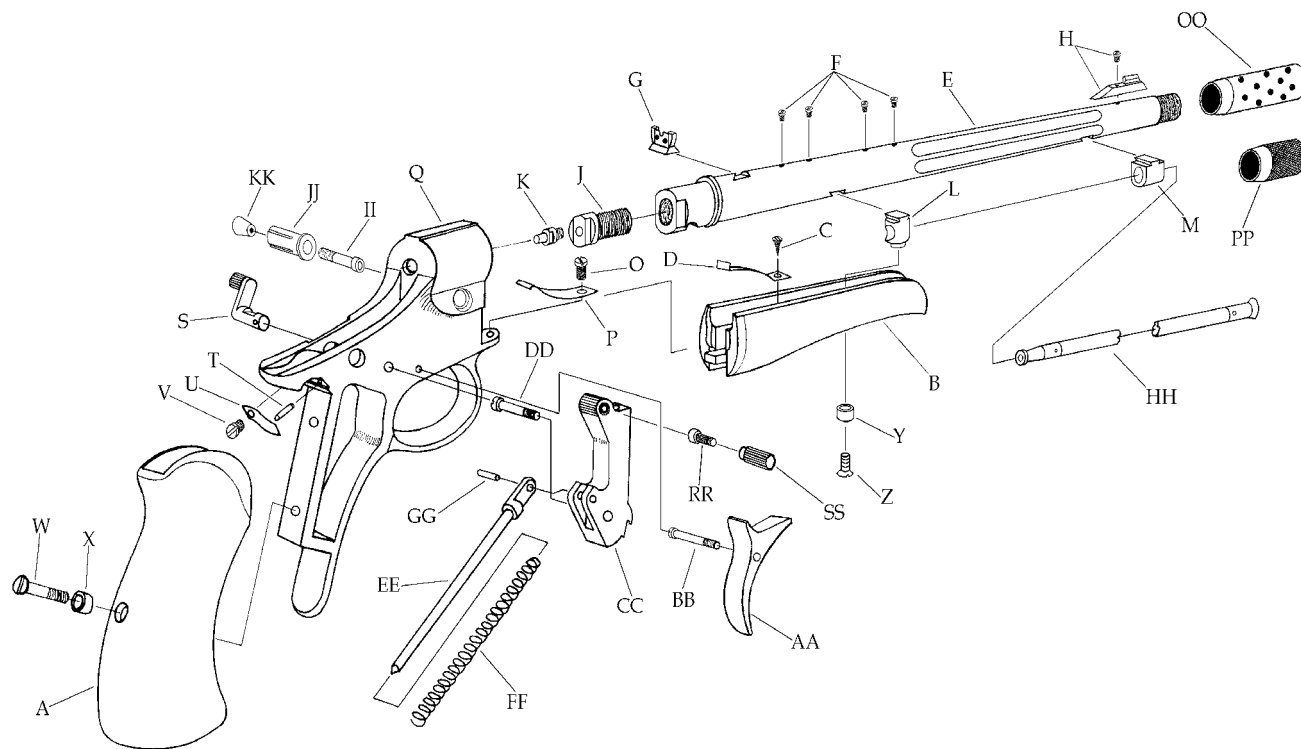


Buckhunter Pro Pistol

Models: P-16550102

.45 cal. Perc. 1-20"

C-Nickel Fluted Barrel/Muzzle Brake



Description	Reference	Description	Reference
A Grip Stock (All Weather).....	FCS16101-2	U Safety Detint Spring.....	16013
B Fore Stock (All Weather).....	FCS16101-1	V Thumb Safety Screw.....	20614
C Ramrod Retaining Spring Screw.....	400024	W Grip Stock Screw.....	16016
D Ramrod Retaining Spring.....	16018	X Grip Stock Washer.....	16019
E Barrel Assembly (Kit) (Lenght 14 ¾") .45 cal. Perc. C-Nickel Fluted (twist 1-20").....	C-165500	Y Fore Stock Washer.....	16014
E Barrel Assembly (Finished) (Lenght 14 ¾") .45 cal. Perc. C-Nickel Fluted (twist 1-20").....	FB165500	Z Fore Stock Screw.....	16017
F Plug Screw (4).....	26029	AA Trigger.....	16003
G Rear Sight Assembly.....	16505	BB Trigger Screw.....	16011
H Front Sight.....	16006	CC Hammer.....	16002
J Breech Plug.....	600007	DD Hammer Screw.....	16009
K Nipple Percussion Only.....	20608	EE Mainspring Guide.....	16007
L Barrel Tennon Lug.....	160008	FF Mainspring.....	16008
M Ramrod Thimble.....	160023	GG Mainspring Guide Pin.....	13012
O Trigger Spring Screw.....	20614	HH Ramrod Assembly.....	16528N
P Trigger Return Screw.....	16010	II Allen Head Take Down Screw.....	16031
Q Frame Blued.....	FF16115/110	JJ Inline Pistol Take Down Claw.....	16029
S Thumb Safety.....	16004	KK Inline Pistol Barrel Cone.....	16030
T Safety Detint Pin.....	M16012	OO Muzzle Thread Cap (C-Nickel).....	627036
		PP Muzzle Break (C-Nickel).....	627035