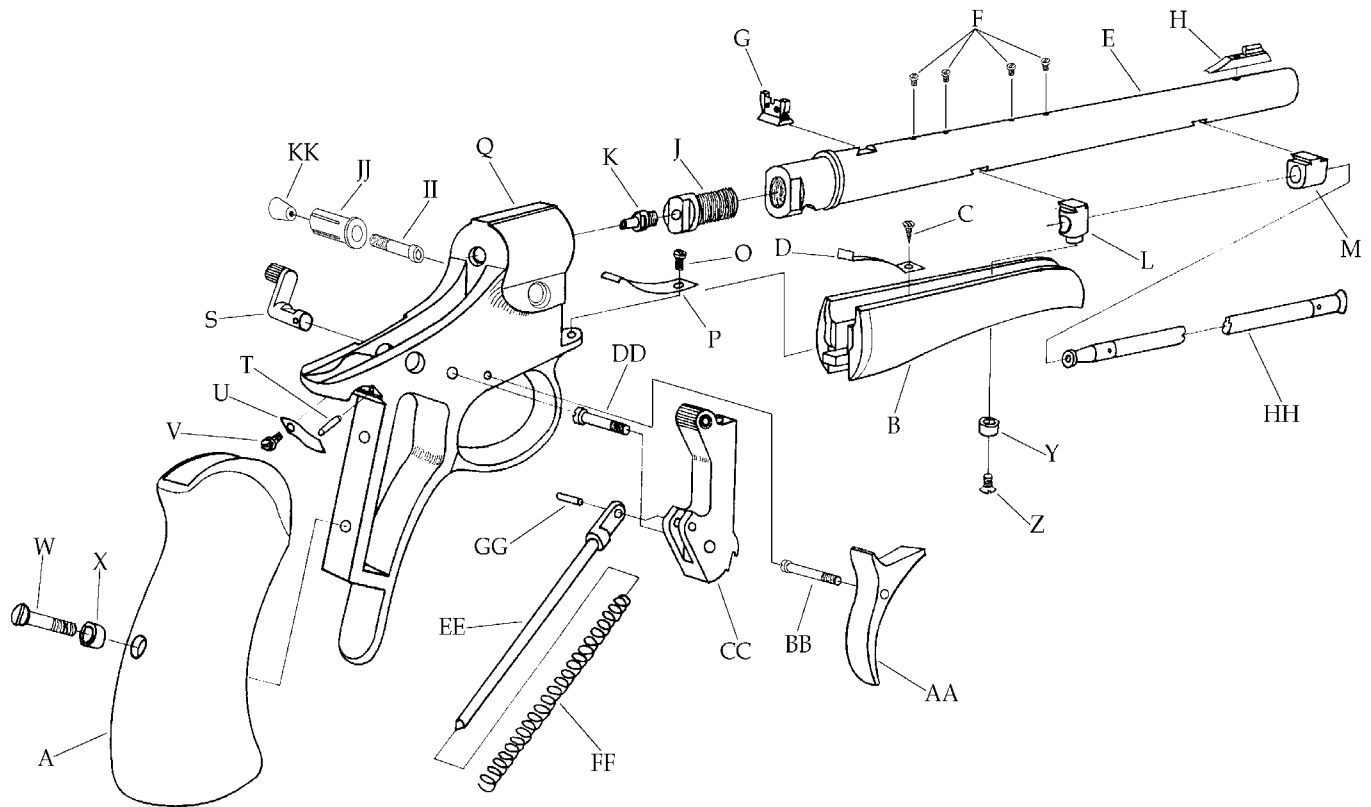


Buckhunter Pistol

Models: P- 16150102

.45 cal. Perc. 1-20"
C-Nickel Barrel



Description	Reference	Description	Reference
A Grip Stock (All Weather).....	FCS16101-2	T Safety Detint Pin.....	M16012
B Fore Stock (All Weather).....	FCS16101-1	U Safety Detint Spring.....	16013
C Ramrod Retaining Spring Screw.....	400024	V Thumb Safety Screw.....	20614
D Ramrod Retaining Spring.....	16018	W Grip Stock Screw.....	16016
E Barrel Assembly (Kit)(Lenght 9 ½") .45 cal. Perc. C-Nickel (twist 1-20").....	C-161501	X Grip Stock Washer.....	16019
E Barrel Assembly (Finished)(Lenght 9 ½") .45 cal. Perc. C-Nickel (twist 1-20").....	FB161501	Y Fore Stock Washer.....	16014
F Plug Screw (4).....	26029	Z Fore Stock Screw.....	16017
G Rear Sight Assembly.....	16005	AA Trigger.....	16003
H Front Sight.....	16006	BB Trigger Screw.....	16011
J Breech Plug.....	600007	CC Hammer.....	16002
K Nipple Percussion Only.....	20608	DD Hammer Screw.....	16009
L Barrel Tennon Lug.....	160008	EE Mainspring Guide.....	16007
M Ramrod Thimble.....	160023	FF Mainspring.....	16008
O Trigger Spring Screw.....	20614	GG Mainspring Guide Pin.....	13012
P Trigger Return Screw.....	16010	HH Ramrod Assembly.....	16028N
Q Frame Blued.....	FF16115/110	II Allen Head Take Down Screw.....	16031
S Thumb Safety.....	16004	JJ Inline Pistol Take Down Claw.....	16029
		KK Inline Pistol Barrel Cone.....	16030